

WITA Servomotors SM W05/10

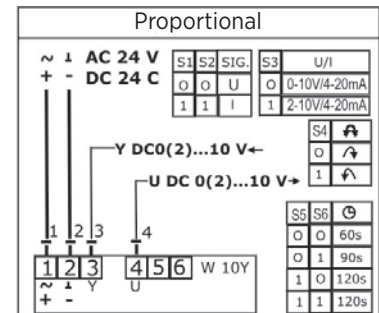
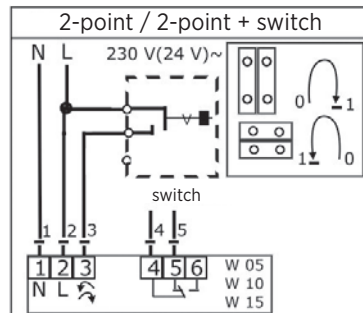
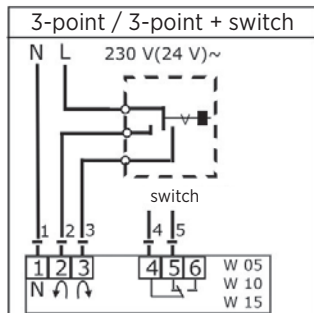
Variants mounting kits

- Esbe, Seltron, Somatherm, Hora, PAW, WITA, Acaso, BRV, IMIT, Ivar, Hoval, Olymp
- Siemens VBI, VBF
- Meibes
- Esbe VRG
- PAW K32, K33, K34
- Danfoss HRB3

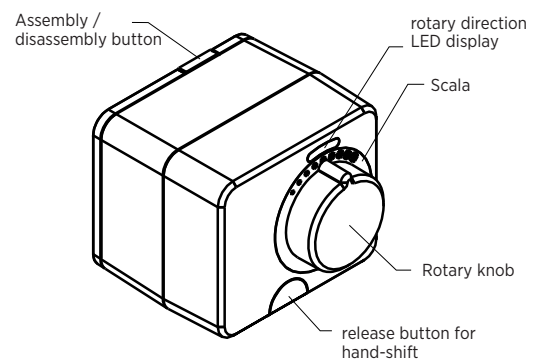
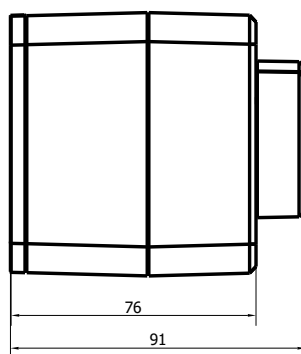
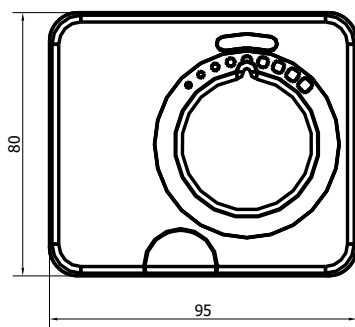
- Ball valve ISO5211, F03, L (9 mm)
- Ball valve ISO5211, F03, L (11 mm)
- Ball valve Belimo R2..xx-S., F04, L (10 mm)
- Herz MV3P, MV4P
- Honeywell V544-543

Mounting kits for other valves on request.

Electrical connection



Dimensions



Compliance with guidelines and standards

The servomotors comply with the following guidelines and standards:

- LVD: Low Voltage Directive 2014/35 / EU,
- EMC: Electromagnetic Compatibility Directive 2014/30 / EU,
- RoHS: Directive on electrical and electronic scrap, banned substances 2011/65 / EU.

PRODUCT DESCRIPTION: Servo motors for mixing valves

APPLIED STANDARDS: EN60730-1, EN60730-2-14