

NUR ORIGINAL MIT DER RAUTE®



Instruction Manual WITA Trap KS Magnetic filter

**For central heating systems
(incl. $\frac{3}{4}$ " or 1" globe valve)**

Maximum pressure 10 bar (1MPa) at 110°C

WITA Trap KS

The WITA Trap KS magnetic filter filters impurities caused by dirt particles, such as sludge or sand from the heating circuit. The dirt is collected in a robust plastic filter body.

The ferromagnetic impurities can also be filtered through a removable magnet protection piston. It can then be easily cleaned. The magnetic filter can be installed in horizontal as well as vertical pipe systems and offers thus numerous application possibilities.

To ensure that the filter always achieves the best possible performance, please observe the information on safety, handling and care in the manual. Please keep this manual in a safe place, in case you need to refer to any of the information in the future.

The WITA Trap KS comes with a 24-month warranty. Should a fault occur within this period, please first contact the dealer, where the item was purchased.

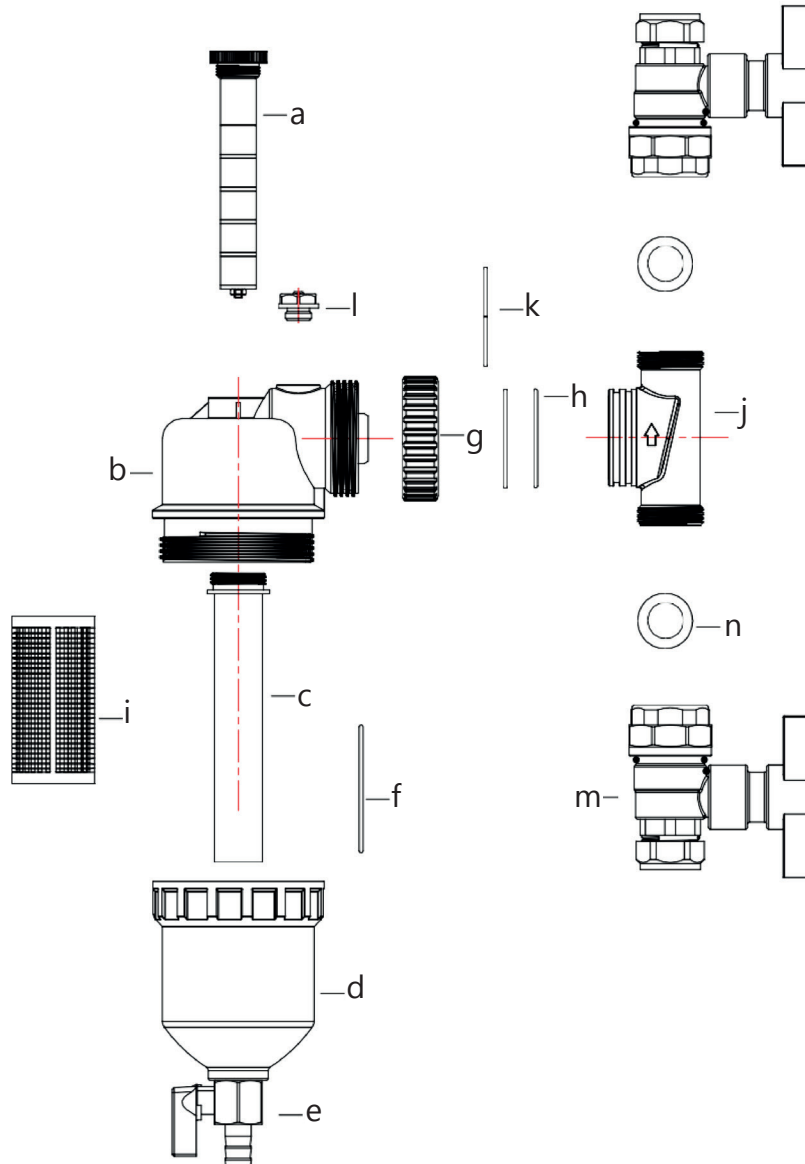
This warranty specifically excludes claims caused by:

- abusive handling
- modification or tampering with the product
- irregular or incorrect maintenance
- damage in transit
- failure to follow installation instructions

Important information

1. The installation may only be carried out by a qualified professional for example installation engineer for heating technology.
2. Please check whether all components are present. If parts are missing or damaged, please contact your supplier immediately.

Product components

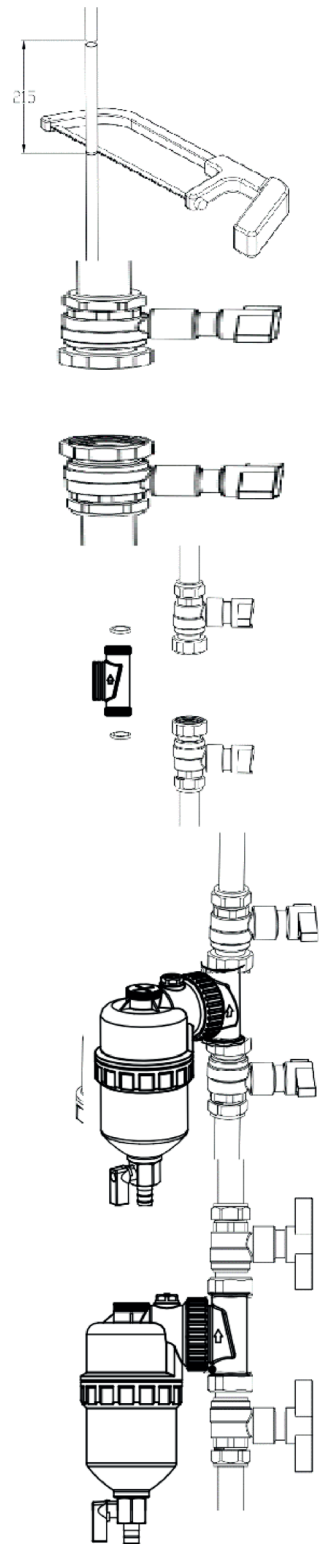


a	magnetic bar	b	upper filter body	c	magnet protection piston
d	lower filter body	e	drain valve	f	gasket
g	union nut	h	gasket	i	plastic filter
j	swivel joint	k	snap ring	l	vent screw
m	3/4" or 1" globe valve	n	gasket		

Installation guide

The device may only be installed by a qualified professional for example installation engineer for heating technology.

1. Select an installation location for the filter, where necessary maintenance is facilitated by easy access. Installation in the return line is recommended. In open vent systems, do not mount between boiler and overflow.
2. Release the pressure of the heating system.
!Caution hot liquids may escape!
3. Mark the pipe with a suitable tool to cut out and remove the marked section
4. Install the supplied globe valves on both the inlet and outlet pipes.
5. Insert the swivel joint, making sure that the direction of the arrow corresponds to the flow direction of the heating system. Mount the swivel joint with the supplied gaskets and tighten the inner nuts firmly. Then tighten the outer compression nuts on the valves to ensure a watertight gasket.
6. Attach the filter body to the swivel joint with sufficient strength and tighten the locking ring by hand. The filter body must be installed vertically. The magnet protection piston of the WITA Trap KS can be removed at any time.
7. Open the globe valves and switch on the heating.
8. If necessary, bleed the air using the vent screw.





Annual maintenance requirement

To ensure optimum efficiency of the product, cleaning is necessary at least once a year.

1. Close both globe valves to prevent uncontrolled leakage of liquids.

!Caution: Danger of scalding due to hot liquids!

Provide a suitable container to collect escaping liquids.

2. Loosen the gap between the diverter and the filter body using the assembly/maintenance key. Loosen and remove the filter cap using a standard 1" threaded wrench.
3. Remove the magnet protection piston (c) and wash it with hot soapy water.
4. Remove the plastic filter (i) and clean it as well.
5. Turn the filter body upside down and pour the internal dirty water into a bucket.
6. After cleaning, replace both, the magnet protection piston and the plastic filter. Tighten the union nut by hand. Turn the filter body back into the correct position. The vent screw must point upwards. Tighten the connection between the swivel joint and the filter body, open the inlet valve and the vent screw slightly, until the air has escaped. Close the vent screw, open the inlet and outlet valves completely and check for leaks.
7. Now the heating system can be started again.

WARNING: Please observe the safety instructions in this document. The filter contains strong magnets. Always use caution during installation and maintenance. Do not place the magnet protection piston on iron surfaces or near to iron objects. Make sure that the magnet does not near objects, that are sensitive to magnetic fields (e.g. credit cards or similar).

Cleaning

1. Disconnect the boiler and close both globe valves. Release the air pressure by opening the vent screw.
2. Drain the filter completely: rotate the filter 180°, remove the filter cap by loosening the nut between the swivel joint and the filter body using the assembly/maintenance wrench. Place the bucket to collect the water and loosen the vent screw. Once the water is drained, the vent screw can be replaced.
3. Then clean the unit with soapy water through the opened filter top and tighten the filter top by hand.
4. Turn the filter body with the vent screw on top back into the correct position. Tighten the connection between the swivel joint and the filter body, open the inlet valve and the vent screw slightly, until all the air has escaped. Close the vent screw, fully open inlet and outlet valves and check for leaks.
5. Turn on the heating system for purging, venting system is required.

Caution: Do not leave the cleaning agent in the filter for a long time.

Troubleshooting und problem solving

Problem 1: The water leaks from the filter

Solution: Turn off the system and close the globe valves.


Perform the following checks:

- a) check all gaskets for position and condition
- b) check the globe valve nuts to make sure, they are tight
- c) check, if the converter locking ring is tight and not cross-threaded

Problem 2: Poor flow through the filter.

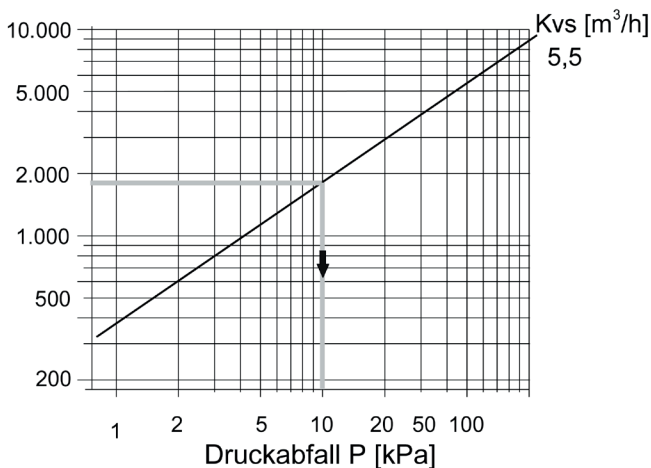
Solution: Clean the filter, if reduced flow is detected.

Materials

Nr.	Picture	Category	Product features	Material	Completion
1		Magnetic filter	1"	copper, nylon PA66- GF 30%	ball valve 1": sandblasted and nickel plated filter body: black nylon
2		Magnetic filter	3/4"	copper, nylon PA66- GF 30%	ball valve 3/4": sandblasted and nickel plated filter body: black nylon

Durchfluss

l/h



Beispiel 100 kPa = 1 bar \approx 10 mWs