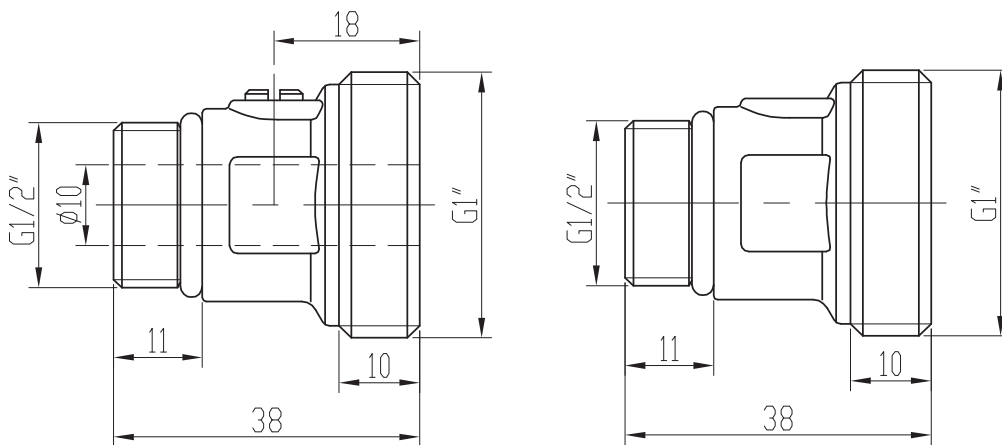
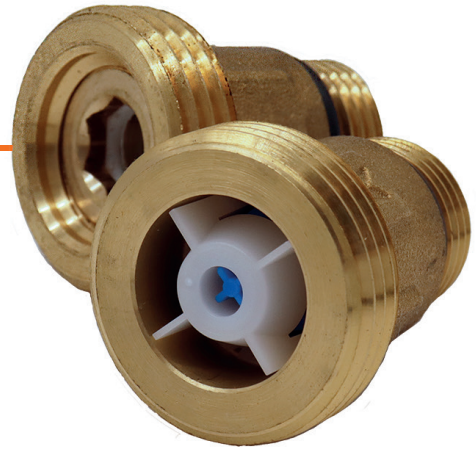


WITA - Screw connection set

Product description

The screw connection set made of brass is supplied in a set (2 pcs. non-return valve and shut-off valve). The screw connection set is suitable for drinking water and compatible with the WITA go.future Z and Z+ drinking water circulation pumps.



Technical Data

Material housing	brass CW617N
Material ball	brass CW617N
Material seal	EPDM
Temperature range	+5°C - +110°C
Max. operating pressure	10 bar
Operating medium	Drinking water
Connection size	½" external x 1" external